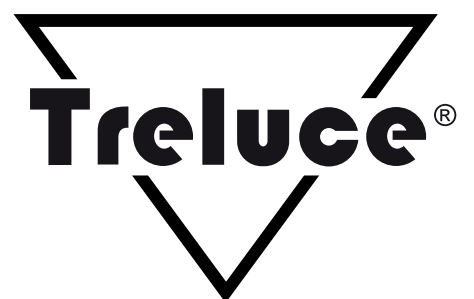


SUPER

S L I M

SUPER SLIM



A horizontal timeline with tick marks and labels. The labels are arranged from left to right as follows:

WADE	WIVRA	WEAL	WELLIE	MARCO	WEST	WING	WEX	WIVRA	WISP	WEEN	WAIREN	WEYRA	WION	WENDY
06	07	08	09	11	12	13	15	17	18	19	20	21	22	23

SUPER SLIM

MINI
SUPER
SLITS

We are specialized in professional modern LED lighting enterprise featuring R&D, production, sales and services. Our core products are series of self-developed high level LED commercial lighting products. It is to use our products as a carrier, to meet and even create demands, and ultimately enhance customers' quality of life. The unique feature of the Ultra Slim Magnetic Track is its ultra slim profile, which allows it to blend seamlessly into any décor. Its ultra slim design takes up minimal space and allows it to be seamlessly integrated into

**a variety of
interiors**



Low-voltage ultra-thin magnetic track system for surface mounting, operating at 48V DC. Suitable for installation in finished ceilings without requiring structural modifications. No special surface preparation required. The track profile is only 18 mm thick, providing a sleek and modern lighting solution.



48V

As safe as possible for humans

ULTRA-THIN

track thickness is only 18 mm

SUITABLE

surface mount - suitable for finished renovation

RELIABLE

installation thanks to double fixing:

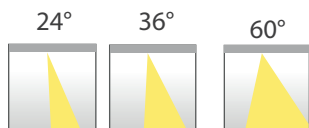
Mechanical latches and magnets

Precision in Every Beam

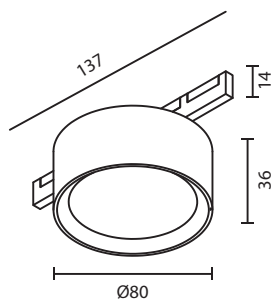


WADE

Product Code	W	LM	Kelvin	CRI	IP	Voltage	Finishes
LT-72.0036	10 W	945 lm	2700/3000/4000K	Ra>90	IP20	48V-DC	Black



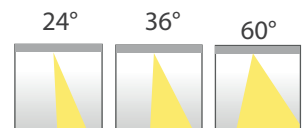
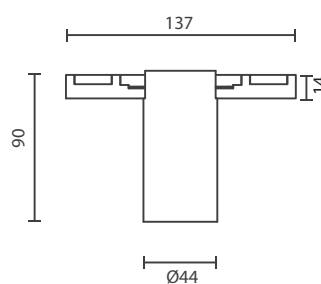
Dimming Protocol:
On Off-Dali
Adjustable: No





WIVRA

Product Code	W	LM	Kelvin	CRI	IP	Voltage	Finishes
LT-72.0052	10 W	945 lm	2700/3000/4000K	Ra>90	IP20	48V-DC	Black



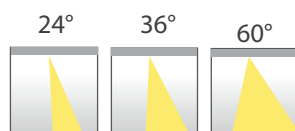
Dimming Protocol:
On Off-Dali
Adjustable: No

innovator creative solutions

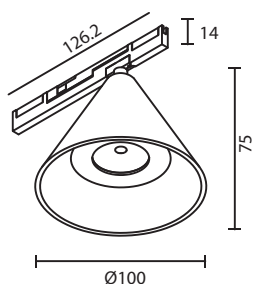


WEAL

Product Code	W	LM	Kelvin	CRI	IP	Voltage	Finishes
LT-72.0068-2	4 W	350 lm	2700/3000/4000K	Ra>90	IP20	48V-DC	Black



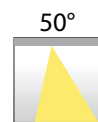
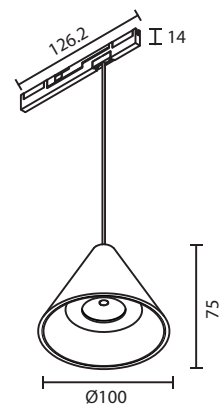
Dimming Protocol:
On Off-Dali
Adjustable: No





WELLIE

Product Code	W	LM	Kelvin	CRI	IP	Voltage	Finishes
LT-72.0068	4 W	350 lm	2700/3000/4000K	Ra>90	IP20	48V-DC	Black



Dimming Protocol:
On Off-Dali
Adjustable: No



□ Perfection Hidden
in Every Detail

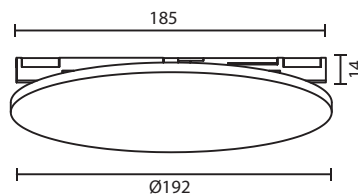
Light, Redefined

Designed for modern spaces, it offers clean linear lighting with a slim profile. Its uniform light distribution creates a balanced and refined atmosphere. Perfect for residential and commercial interiors where minimal design meets high performance.



MARCO

Product Code	W	LM	Kelvin	CRI	IP	Voltage	Finishes
LT-72.0098	10 W	945 lm	2700/3000/4000K	Ra>90	IP20	48V-DC	Black



Dimming Protocol:
On Off-Dali
Adjustable: No

Linear Light **Maximum Impact**

WEST is designed for modern spaces, offering clean linear lighting with a slim profile.

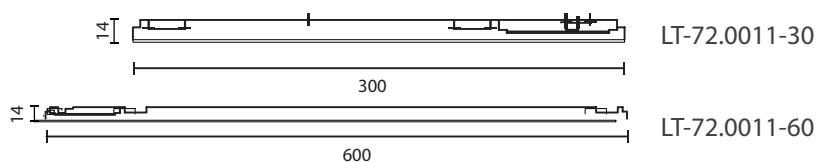
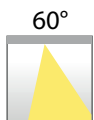
Its uniform light distribution creates a balanced and refined atmosphere.

Perfect for residential and commercial interiors, where minimal design meets high performance



WEST

Product Code	W	LM	Kelvin	CRI	IP	Voltage	Finishes
LT-72.0011-30	8 W	765 lm	2700/3000/4000K	Ra>90	IP20	48V-DC	Black
LT-72.0011-60	16 W	1550 lm	2700/3000/4000K	Ra>90	IP20	48V-DC	Black



Dimming Protocol:
On Off-Dali
Adjustable: No

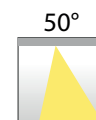
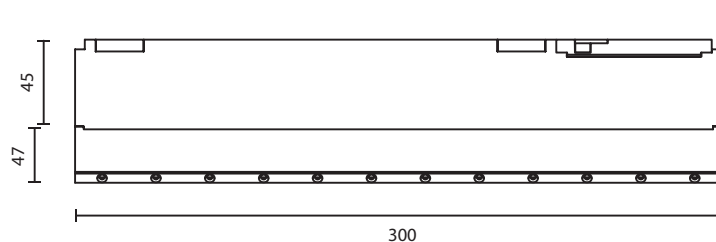


Precision
lightg | in a slim form



W I N G

Product Code	W	LM	Kelvin	CRI	IP	Voltage	Finishes
LT-72.0011-R	8 W	765 lm	2700/3000/4000K	Ra>90	IP20	48V-DC	Black

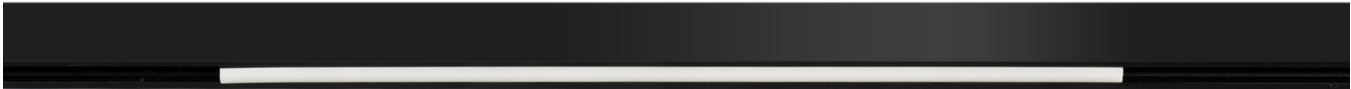


Dimming Protocol:
On Off-Dali
Adjustable: No



Follow **the Light**

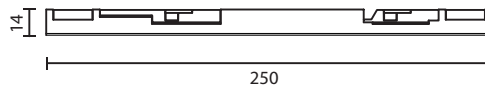
A subtle guide through space. This linear luminaire leads the way with soft precision, creating a calm and elegant atmosphere. Designed to integrate seamlessly with your space, it highlights paths, forms, and architectural elements without distraction.



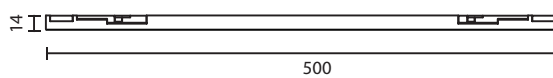
W E X

Product Code	W	LM	Kelvin	CRI	IP	Voltage	Finishes
LT-72.0010-25	5 W	430 lm	2700/3000/4000K	Ra>90	IP20	48V-DC	Black
LT-72.0010-50	10 W	965 lm	2700/3000/4000K	Ra>90	IP20	48V-DC	Black
LT-72.0010-100	20 W	1940 lm	2700/3000/4000K	Ra>90	IP20	48V-DC	Black

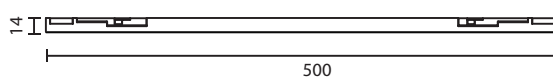
LT-72.0010-25



LT-72.0010-50



LT-72.0010-100



100°



Dimming Protocol:
On Off-Dali
Adjustable: No

A hand holding a red tulip flower under a black adjustable spotlight. The spotlight is mounted on a black track and is directed towards the flower. The background is a plain, light gray wall.

■ Light That Makes Beauty Bloom

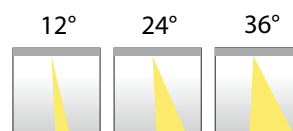
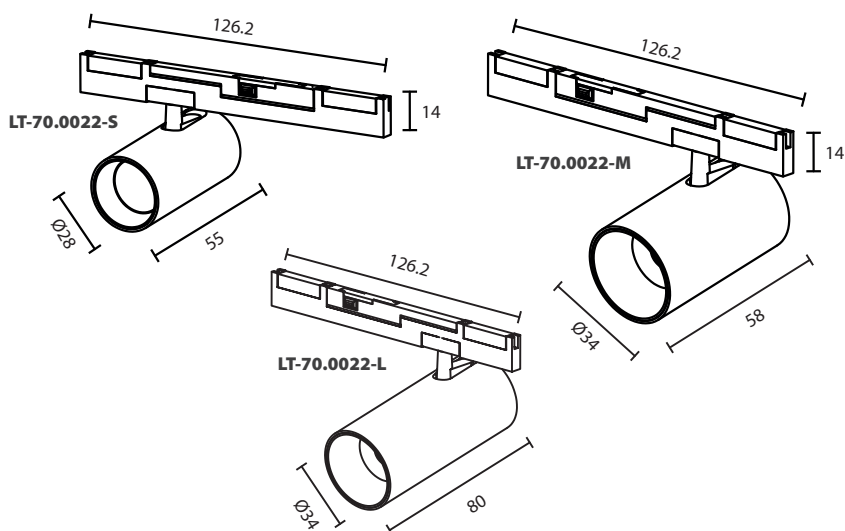
Designed to highlight what truly matters.

This adjustable spotlight brings focus, depth, and warmth to every detail. From natural textures to architectural elements, it reveals beauty with precision and elegance.



WIVRA

Product Code	W	LM	Kelvin	CRI	IP	Voltage	Finishes
LT-70.0022-S	4 W	440 lm	2700/3000/4000K	Ra>90	IP20	48V-DC	Black
LT-70.0022-M	7 W	680 lm	2700/3000/4000K	Ra>90	IP20	48V-DC	Black
LT-70.0022-L	10 W	950 lm	2700/3000/4000K	Ra>90	IP20	48V-DC	Black

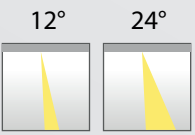


Dimming Protocol:
On Off-Dali
Adjustable: No

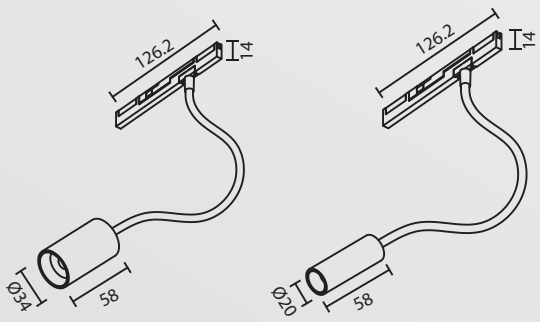


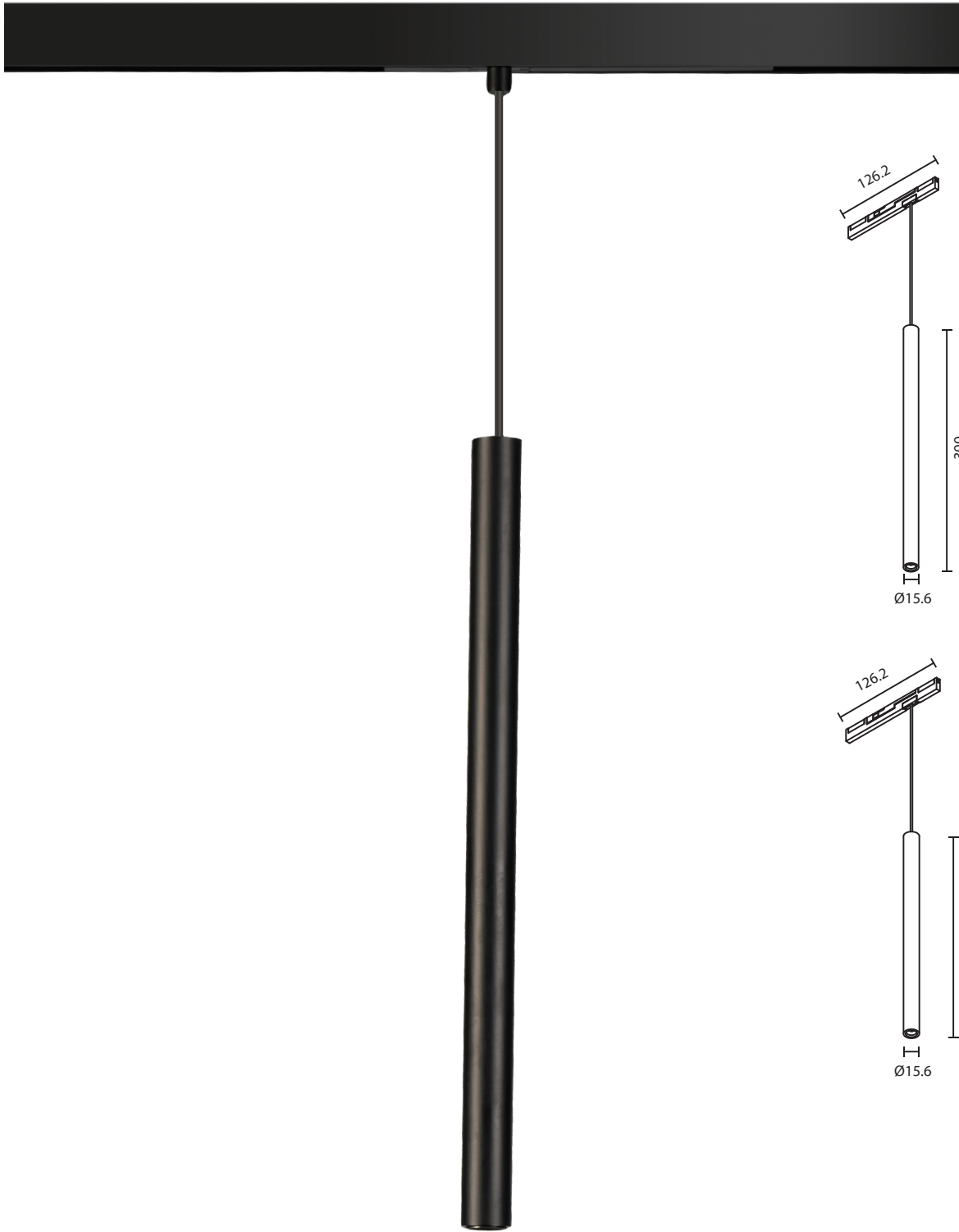
WISP

Product Code	W	LM	Kelvin	CRI	IP	Voltage	Finishes
LT-72.0020	2 W	130 lm	2700/3000/4000K	Ra>90	IP20	48V-DC	Black
LT-72.0034	4 W	360 lm	2700/3000/4000K	Ra>90	IP20	48V-DC	Black



Dimming Protocol:
On Off-Dali
Adjustable: No





WEEN

Product Code	W	LM	Kelvin	CRI	IP	Voltage	Finishes
LT-72.0015-25	2 W	130 lm	2700/3000/4000K	Ra>90	IP20	48V-DC	Black
LT-72.0015-30	2 W	130 lm	2700/3000/4000K	Ra>90	IP20	48V-DC	Black

12°

24°



Dimming Protocol:
On Off-Dali
Adjustable: No

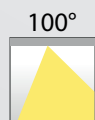
A Perfect Circle of Light

WAIREN brings harmony into your space with its clean circular form. Designed to create soft, even illumination, it adds balance and elegance to modern interiors. A timeless design that blends architecture with light — effortlessly.

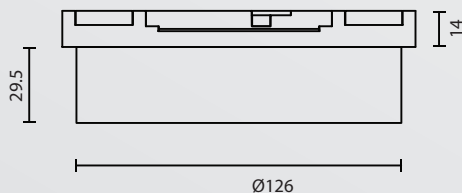


WAIREN

Product Code	W	LM	Kelvin	CRI	IP	Voltage	Finishes
LT-72.0026	12 W	1140 lm	2700/3000/4000K	Ra>90	IP20	48V-DC	Black



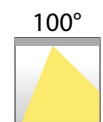
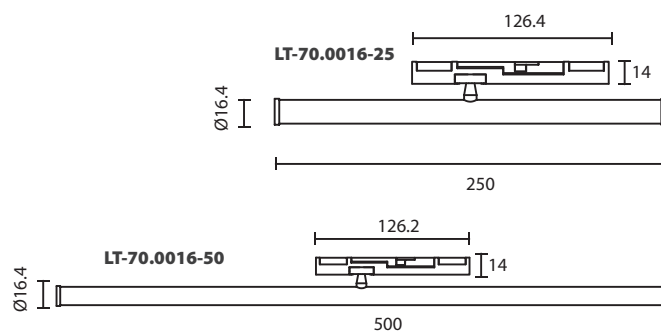
Dimming Protocol:
On Off-Dali
Adjustable: No





WEYRA

Product Code	W	LM	Kelvin	CRI	IP	Voltage	Finishes
LT-72.0016-25	5 W	5 W	2700/3000/4000K	Ra>90	IP20	48V-DC	Black
LT-72.0016-50	10 W	10 W	2700/3000/4000K	Ra>90	IP20	48V-DC	Black



Dimming Protocol:
On Off-Dali
Adjustable: No

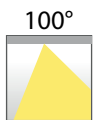
With a pure spherical form, this lighting piece brings softness and balance into modern interiors. Its seamless integration with the track system creates a floating effect, adding elegance without visual weight. A perfect harmony of geometry, function, and refined illumination.

A Sphere of **Perfect Light**

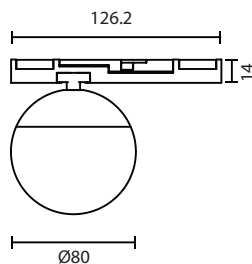


W I O N

Product Code	W	LM	Kelvin	CRI	IP	Voltage	Finishes
LT-72.0008-2	7 W	660 lm	2700/3000/4000K	Ra>90	IP20	48V-DC	Black



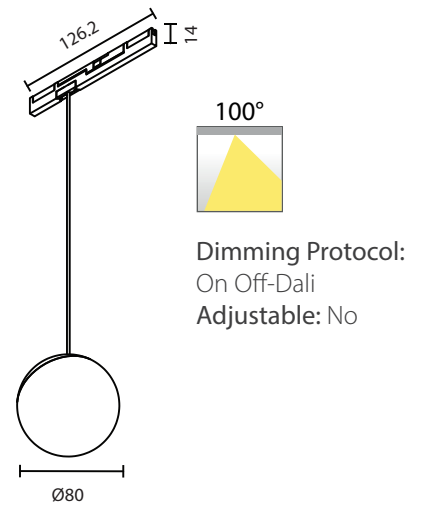
Dimming Protocol:
On Off-Dali
Adjustable: No



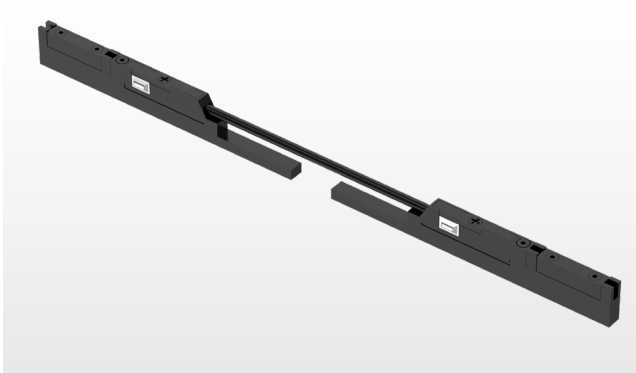


WENDY

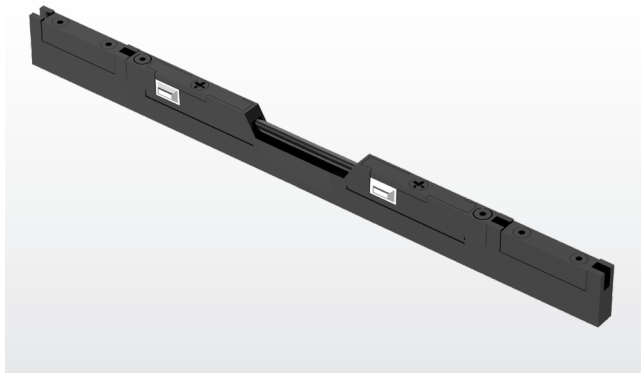
Product Code	W	LM	Kelvin	CRI	IP	Voltage	Finishes
LT-72.0008	7 W	660 lm	2700/3000/4000K	Ra>90	IP20	48V-DC	Black



Flexible Connector



Intermediate Connector

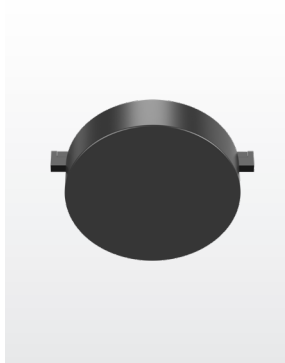


Feed Connector



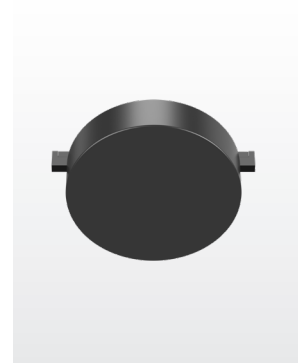
Power Supply in Track

200 W 48V dc



Power Supply in Track

100 W 48V dc

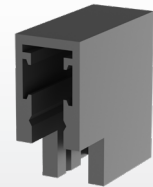


ACCESORIES

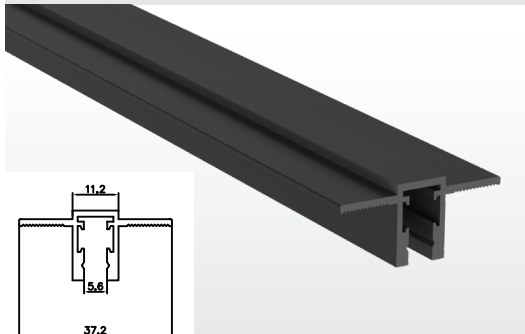
Precision in **Every Connection**

Track systems are completed with the right details. From straight lines to perfect corners, every accessory ensures a seamless and refined lighting experience.

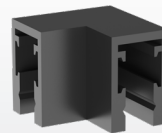
In Corner



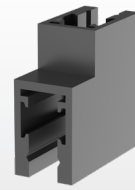
Recessed Track Trimless



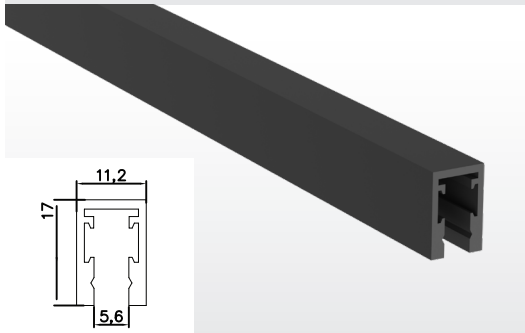
L Corner



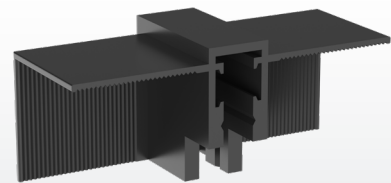
Out Corner



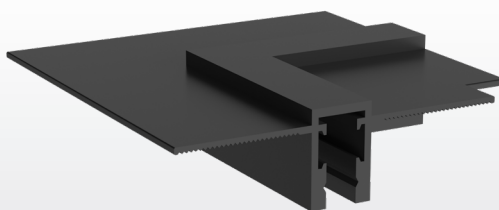
Surface Track Trimless



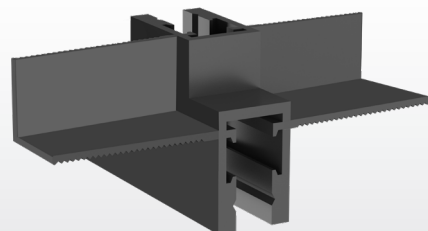
In Corner

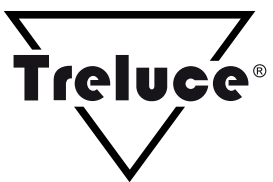
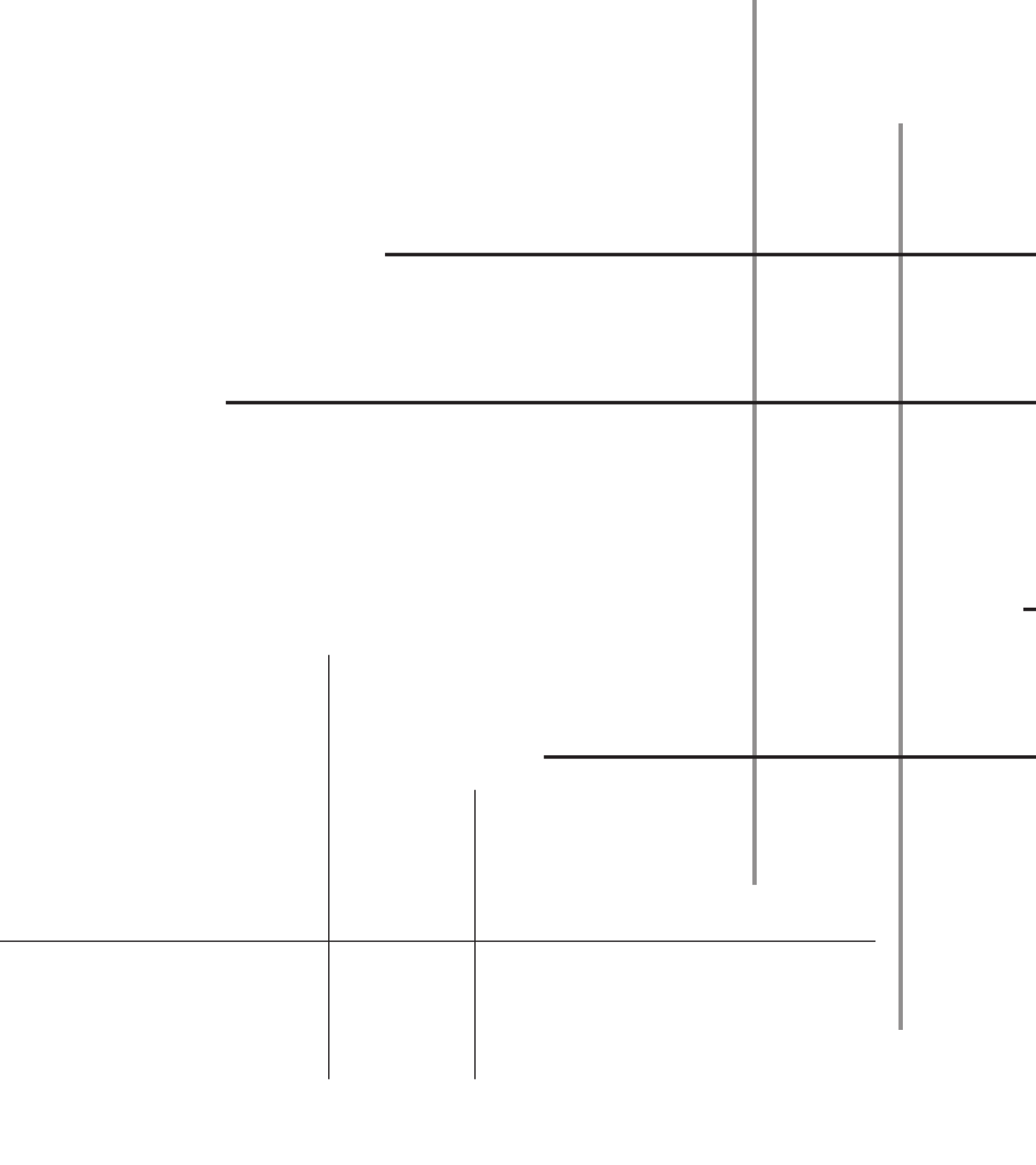


L Corner



Out Corner





info@trelucelight.com
www.trelucelight.com

nasa
aydınlatma